

# InfraLINK Micro Series OEM Open Protocol Interfaces

## InfraLINK

For equipment manufacturers, conformance with IFSF standards has traditionally involved a large amount of custom development and cost.

By packaging the complex IFSF protocol management into an embedded system, InfraLINK provides a simplified serial interface to exchange data with your device. For applications such as Price Pole, InfraLINK also incorporates all the operational logic required by the IFSF standard, providing a solution that's easy to implement and can be ready to certify to IFSF standards in just a few days.

## Proven

The original InfraLINK Classic is proven in use with many different operators on thousands of filling stations worldwide. It has been successfully integrated with POS systems and forecourt controllers from many vendors, including: DOMS, Retalix, Tokheim, Gilbarco, Fujitsu, Scheidt+Bachmann and Wincor Nixdorf.

## Innovative

Now InfraLINK Micro repackages this successful solution into a small sub-assembly based on the latest processor technology, ready to integrate into OEM equipment.

Both IFSF/LON (Micro 30) and IFSF/IP (Micro 20) versions are available with identical form factors and host interfaces, to simplify future migration to IFSF/IP.

Three serial host interfaces are available: a simplified ASCII or full binary interface for Price Pole (IFSF part 3.02) or a full generic binary IFSF interface implementation for other applications.



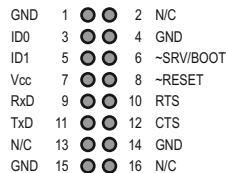
InfraLINK Micro 30 and Micro 20

## Benefits

- Quickly deliver products that can be certified compliant to IFSF standards;
- Reduce time-to-market for new products;
- Lower the cost of delivering your products into the fuel retailing sector;
- Generic and Price Pole versions available;
- IFSF/LON and IFSF/IP versions available - easily upgrade your products to IFSF/IP;
- A choice of IFSF binary or simple ASCII serial interface to suit your host application;
- Be confident that InfraLINK will be updated as IFSF standards change and evolve;
- Full technical support available.

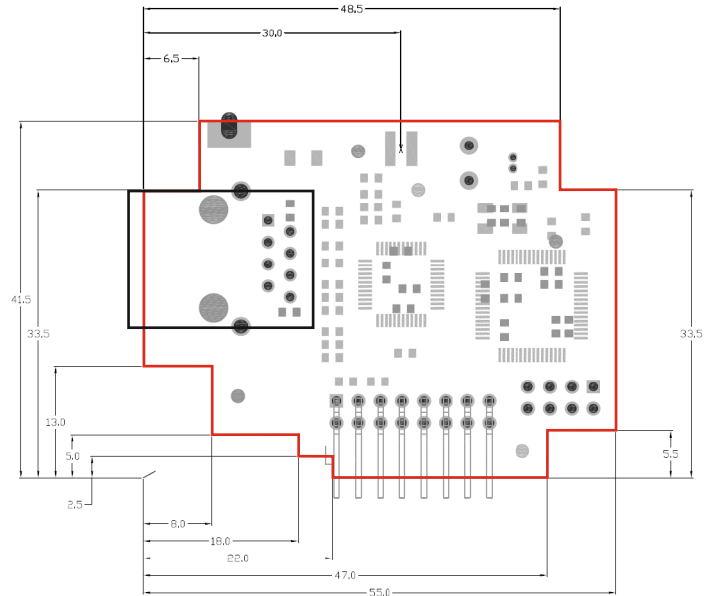
## Pinout

PIN(s)	Function	Usage
1, 4, 14, 15	Ground	
2, 13, 16	No connection	
3	ID 0	Pulled low by Micro 20
5	ID 1	Pulled low by Micro 30
6	~Service/Boot	Micro 20: To be pulled low by host Micro 30: Service Pin - allow to float
7	V <sub>cc</sub>	3.3V via suitable regulator
8	~Reset	
9	Transmit (TxD)	
10	Ready to Send (RTS)	
11	Receive (RxD)	
12	Clear to Send (CTS)	



Pinout viewed from rear of board

	Micro 20	Micro 30
Supply Voltage (V <sub>cc</sub> )	3.3V	3.3V
Supply current Typ. (I <sub>typ</sub> )	160 mA	23 mA
Supply Current Max (I <sub>max</sub> )	165 mA	30 mA
LonWorks FT/10 Interface		Y
Ethernet 10/100bT Interface	Y	
Processor	STM32	FT-5000
Host Interface	USART	USART
Dimensions:		
Length	55mm	55mm
Height	41.5mm	41.5 mm
Width	16.5 mm	16.5 mm



InfraLINK Micro 20

## Availability

InfraLINK Micro is available in the following versions:

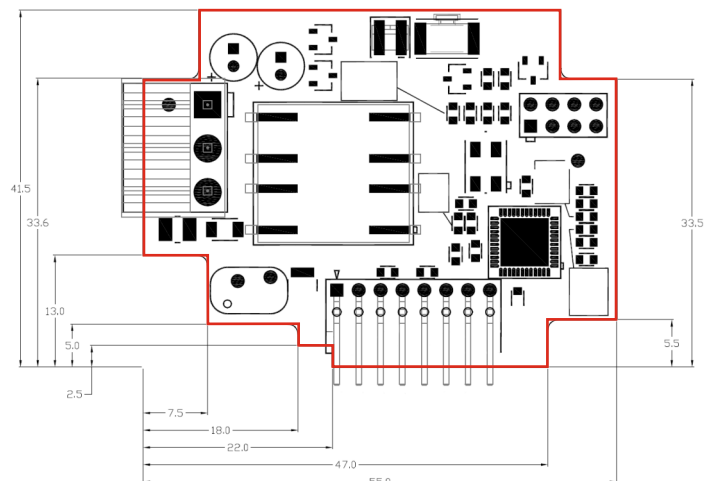
### InfraLINK Micro 30 (IFSF/LON OEM Board)

- Price Pole - Simple Interface code 712030HP
- Generic - Full IFSF Interface code 712130MP
- Price Pole - Full IFSF interface code 712931DP

### InfraLINK Micro 20 (IFSF/IP OEM Board) \*

- Price Pole - Simple Interface code 712020C
- Generic- Full IFSF Interface code 712120G
- Price Pole - Full IFSF interface code 712921X

\* Available to special order only - Minimum order quantity applies.



InfraLINK Micro 30

### Calon Associates Limited

2 Whitworth Court  
Runcorn WA7 1WA, UK

**T** +44 1925 320 320  
**E** sales@caloncontrols.com

### Calon Europe Limited

Lucan, Co. Dublin  
K78 WP57, IRL

**T** +353 1 902 6710  
**E** sales@caloncontrols.com

\* Available to special order only  
- Minimum order quantity applies.

